

PIUSI K33 ATEX MECHANICAL METRE

FEATURES

- BURSTING PRESSURE 28 BAR
- 3 DIGIT DISPLAY
- EASY TO CALIBRATE
- 4 FLOW DIRECTIONS

The PIUSI K33 ATEX is an oval gear mechanical meter engineered for an accurate measuring of the quantity of fluid dispensed that meets the ATEX/IECEX requirements related to the use in potentially explosive atmospheres. Reliable and easy to install, it can be calibrated on site and simply fitted with both rigid or flexible pipes or can be put directly on pumps and tanks.

PERFORMANCE

20-120 L/MIN FLOW RATE	3,5 BAR MAX OPERATING PRESSURE
± 1% ACCURACY	0,3% REPEATABILITY



K33 - ATEX

OUR PRODUCTS COMPLIES WITH THE FOLLOWING MARKING ATEX

II GROUP	2 CATEGORY	G TYPE OF EXPLOSIVE ATMOSPHERE	c PROTECTION METHOD	IIB GAS GLASS	T6 TEMPERATURE CLASS
--------------------	----------------------	--	-------------------------------	-------------------------	--------------------------------

PACKAGING

CODE	WEIGHT		PACKAGING			N. BOXES / EUROPALLET	
	KG	LBS	MM	INCH	PCS/BOX		
FO057000A	2,02	4,44	180X180X170	-	1	192	240
FO057001A	2,02	4,44	180X180X170	-	1	192	240
FO057002A	2,02	4,44	180X180X170	-	1	192	240
FO057003A	2,02	4,44	180X180X170	-	1	192	240



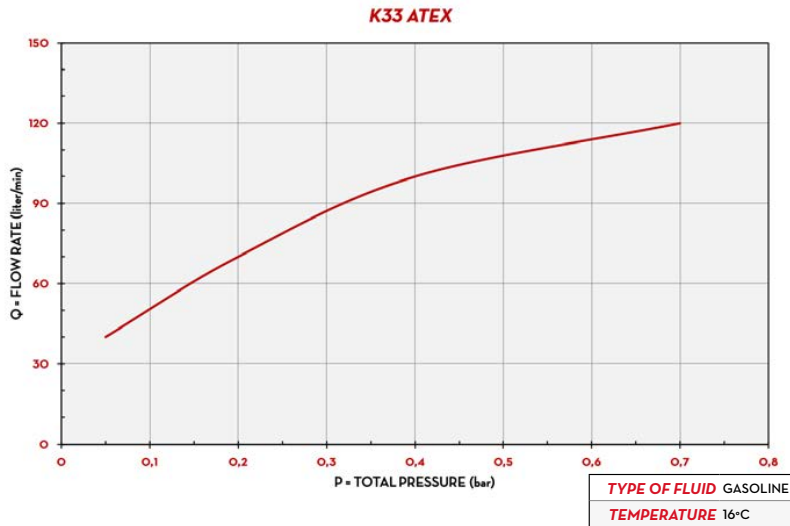
Fluid Handling Innovation



THE HOME OF Fuelcraft

- A
AIR
- A
ANTIFREEZE
- Ad
AdBlue®
- B
BIODIESEL
- D
DIESEL
- F
FOOD
- G
GASOLINE
- G
GREASE
- K
KEROSENE
- O
OIL
- W
WATER
- W
WINDSCREEN

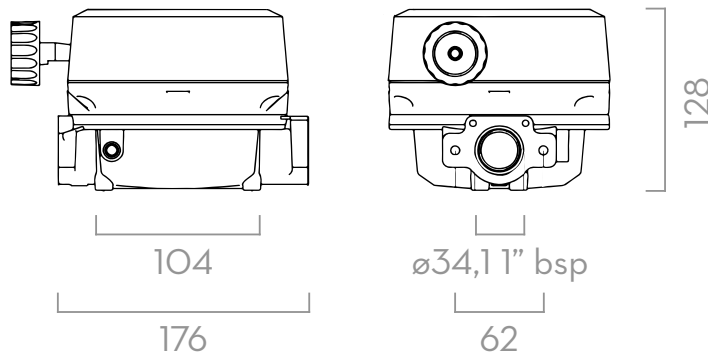
CHART



IN THE BOX

- K33 ATEX METER
- INSTRUCTION MANUAL

DIMENSIONS



Dimensions expressed in millimeters

DETAILS



MATERIALS

- BODY: ALUMINIUM
- NUTATING DISK CHAMBER: TECHNOPOLYMER

TECHNICAL DATA

CODE	DESCRIPTION	FLUIDS TYPE	FLOW DIRECTION	FLOW RATE		PRESSURE		INLET / OUTLET
				L/MIN	GPM	BAR	PSI	
FO057000A	K33 - ATEX VER. A	D G K	←	20 - 120	5 - 32	3,5	50	1" BSP
FO057001A	K33 - ATEX VER. B	D G K	↑	20 - 120	5 - 32	3,5	50	1" BSP
FO057002A	K33 - ATEX VER. C	D G K	↓	20 - 120	5 - 32	3,5	50	1" BSP
FO057003A	K33 - ATEX VER. D	D G K	→	20 - 120	5 - 32	3,5	50	1" BSP

COMPATIBLE FLUIDS: DIESEL, KEROSENE, PETROL, PETROL/ALCOHOL MIXTURE (MAX 20%), AVGAS 100/100LL (PUMP AND FLOW METER ONLY), JET A/AI (PUMP AND FLOW METER ONLY), ASPEN 1/4. VERSION WITH UL APPROVAL FOR ASPEN 1/4 AVAILABLE

K33 ATEX

476 Boundary Rd
Derrimut
VICTORIA 3026

Phone: 03 9311 7822
E-mail: sales@liquipvictoria.com.au

