

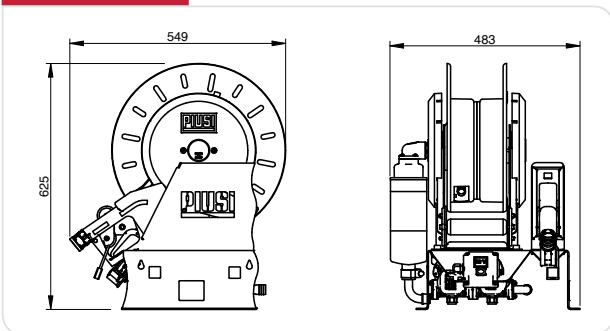
# PIUSI PITSTOP 12-24 V DIESEL TRANSFER PUMP

**EN.** Dispenser unit with automatic hose reel; the 14 metres of hose with automatic nozzle allows dispensing up to 45 l/min with DC power supply. The automatic hose reel, the two DC pumps and the automatic nozzle are integrated in a sturdy supporting structure. Easy to install, versatile, compact, necessary to complete mobile or fixed tanks.

- PIUSI PITSTOP DC consists of:
- 1 - Automatic hose reel.
  - 2 - Side safety guards.
  - 3 - Adjustable arms with end-of-travel hose stop.
  - 4 - Diesel hose 3/4" -14 m (1" - 10 m).
  - 5 - On/Off switch.
  - 6 - Swivel.
  - 7 - Automatic nozzle.
  - 8 - DC pumps.
  - 9 - Sturdy metal supporting structure.
  - 10 - PIUSI filter of the water absorption cartridge

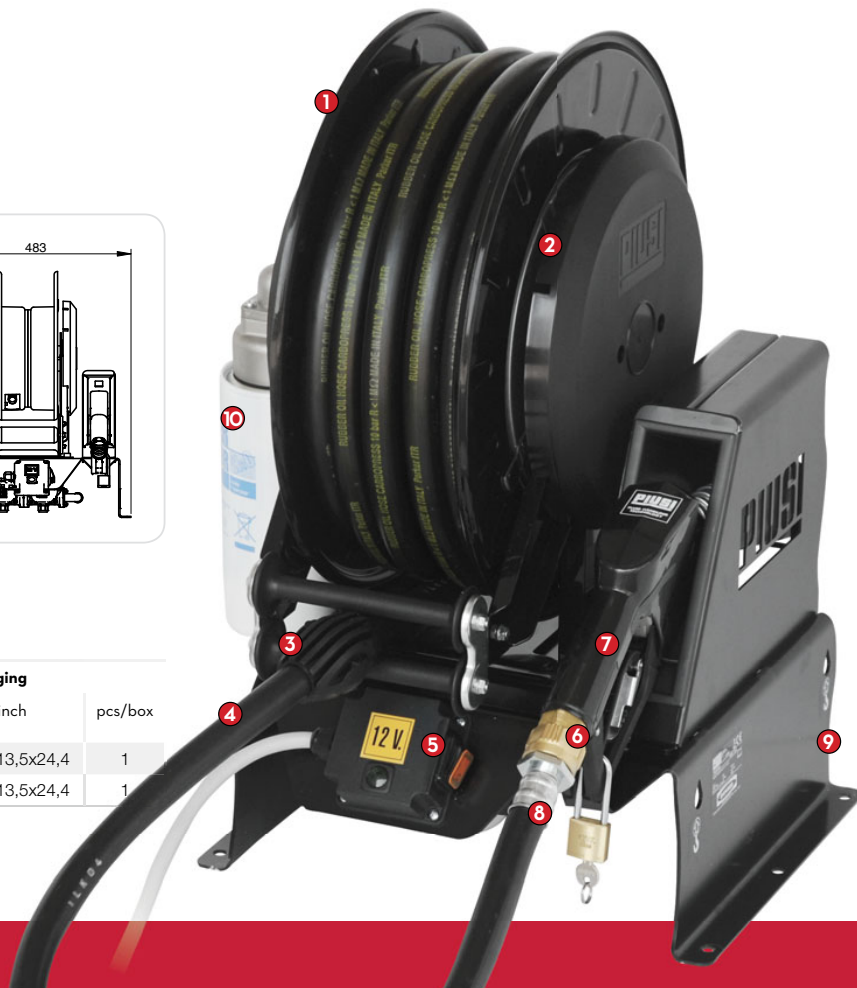
**READY TO INSTALL**

**DIMENSIONS**



**PRODUCTS' RANGE WEIGHT AND PACKAGING**

| Code      | Weight |     | Packaging   |                |         |
|-----------|--------|-----|-------------|----------------|---------|
|           | kg     | lbs | mm          | inch           | pcs/box |
| F00212000 | 45     | 99  | 595x465x670 | 23,4x13,5x24,4 | 1       |
| F00213000 | 45     | 99  | 595x465x670 | 23,4x13,5x24,4 | 1       |



**DISPENSERS**



Flow-rate  
up to  
**45** l/min  
(up to 15 gpm)

Hose  
**14** m



14 m hose + Built in DC pumps + Automatic nozzle  
**up to 45 l/min**

FEATURES

|  |  |                        |                             |  |                          |
|--|--|------------------------|-----------------------------|--|--------------------------|
| <p><b>Diesel hose</b></p> <p>3/4"-14 m (1" - 10 m)</p> | <p><b>Water captor</b></p> <p>H<sub>2</sub>O</p> | <p><b>Pad lock</b></p> | <p><b>On/Off switch</b></p> | <p><b>Adjustable arms</b></p> <p>with end-of-travel hose stop.</p> | <p><b>K 24 meter</b></p> |
|--|--|------------------------|-----------------------------|--|--------------------------|

ON REQUEST

PRODUCTS' RANGE TECHNICAL DATA

| Code      | Description          | Fluids type | Flow-rate |      | Voltage         |            |           | Pump    |     | Duty cycle min. | Nozzle type | Hose   |      | Inlet Ø |
|-----------|----------------------|-------------|-----------|------|-----------------|------------|-----------|---------|-----|-----------------|-------------|--------|------|---------|
|           |                      |             | l/min     | gpm  | AC V/Hz DC Volt | Power Watt | Amp. max. | mod.    | no. |                 |             | length | Ø    |         |
| F00212000 | PIUSI PITSTOP DC 12V | D           | 45        | 11,9 | 12              | 400        | 33        | BP 3000 | 2   | 30              | Aut.        | 14 m   | 3/4" | 1"      |
| F00213000 | PIUSI PITSTOP DC 24V | D           | 45        | 11,9 | 24              | 620        | 26        | BP 3000 | 2   | 30              | Aut.        | 14 m   | 3/4" | 1"      |

48 Vella Drive  
Sunshine West  
VICTORIA 3020

Phone: (03) 9311 7822  
Fax: (03) 9311 8784  
E-mail: sales@liquipvictoria.com.au

