

Piusi Hand Pump AdBlue



UP TO
38L
PER 100
REVOLUTIONS

Portable and Efficient AdBlue transfer

AdBlue transfer without the need for power.

The PIUSI HAND PUMP is a rotary vane pump suitable for transferring AdBlue®.

Entirely designed, manufactured and certified in Italy, this sturdy pump guarantees a professional performance and it is indicated for all drum applications.

FEATURES

- ▶ Sturdy connector
- ▶ Heavy duty lever
- ▶ High efficiency
- ▶ Adjustable suction pipe
- ▶ Selected materials
- ▶ Built-in non return valve

IN THE BOX

- ▶ Piusi hand pump
- ▶ Drum Connector
- ▶ Suction pipe
- ▶ Delivery hose
- ▶ Instruction manual

MATERIALS

- ▶ Body: Stainless steel/ technopolymer
- ▶ Rotor: Technopolymer
- ▶ Vanes: Technopolymer



DRUM CONNECTOR



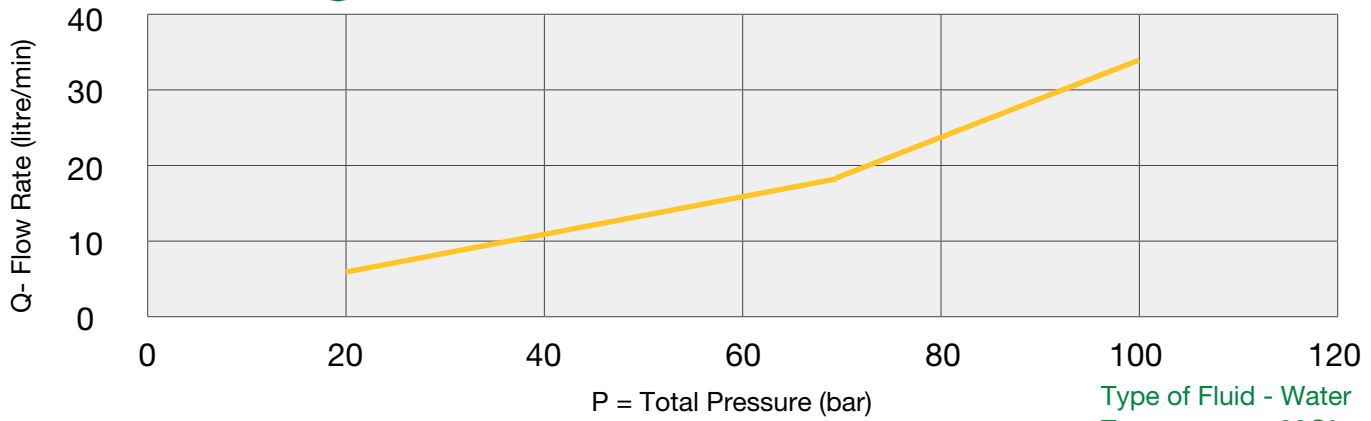
STAINLESS STEEL SPOUT



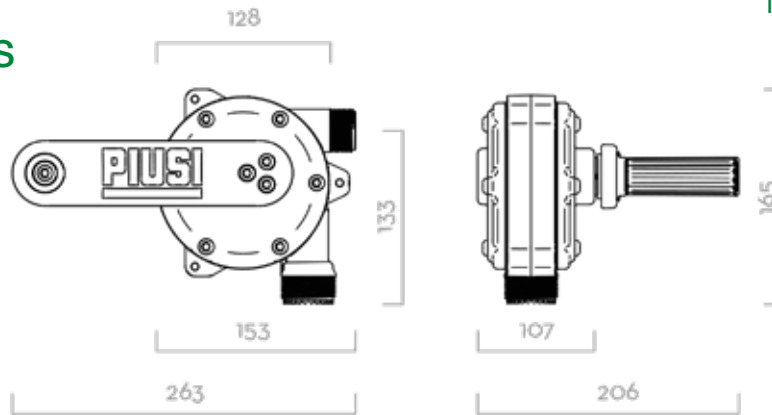
SUCTION PIPE



Piusi Hand Pump



DIMENSIONS



Dimensions expressed in millimeters (mm)

Packaging

Code	Weight	Packaging		Boxes per pallet	
	KG	MM	Pcs/Box	Plane	Ship

Without Hose

F00332A0A	2.1	350X170X140	1	50	100
F00332A4A	2.1	350X170X140	1	50	100

With Hose

F00332A2A	3.2	300X300X180	1	50	100
F00332A8A	3.2	300X300X180	1	50	100
F00332A5A	3.2	300X300X180	1	50	100
F00332A7A	3.2	300X300X180	1	50	100
F00332A9A	3.2	300X300X180	1	50	100

Technical Data

Code	Description	Fluid Types *	3D Filter Included	Capacity per 100 revolutions (L)	Drum Connector	Suction Tube	Delivery Hose Length (M)
------	-------------	---------------	--------------------	----------------------------------	----------------	--------------	--------------------------

Without Hose

F00332A0A	PIUSI HAND PUMP 56X4	Ad,W	No	38	56X4	Yes	-
F00332A4A	PIUSI HAND PUMP UREA 2" BSP	Ad,W	No	38	2" BSP	Yes	-

With Hose

F00332A2A	PIUSI HAND PUMP UREA 56X4 W/HOSE	Ad,W	No	38	56X4	Yes	2.5
F00332A8A	PIUSI HAND PUMP UREA 2" BUT. W/H F	Ad,W	Yes	38	2" BUTTRESS	Yes	2.5
F00332A5A	PIUSI HAND PUMP UREA 2" BSP W/HOSE	Ad,W	No	38	2" BSP	Yes	2.5
F00332A7A	PIUSI HAND PUMP UREA 70X6 W/HOSE	Ad,W	No	38	70X6	Yes	2.5
F00332A9A	PIUSI HAND PUMP UREA 56X4 70X6 2"BSP W/H	Ad,W	No	38	2" BSP	Yes	2.5

* Ad = Adblue, W = Water