



## Piusi 3D AdBlue Filter

Prevents the contamination of AdBlue during transferring operation

The Piusi 3D Filter is specifically engineered to protect AdBlue® from contamination during transfer operations, helping to extend the life of your vehicle's SCR system.

Designed to remove debris and crystallisation, this highly efficient mechanical filter prevents damage that can occur during filling and transferring, ensuring your vehicle remains within warranty.

Featuring a durable technopolymer filtering element housed in a protective polyamide casing, it comes with 1" BSP fittings for easy installation. For optimal performance, it is recommended to replace the AdBlue® filter annually.

Functioning



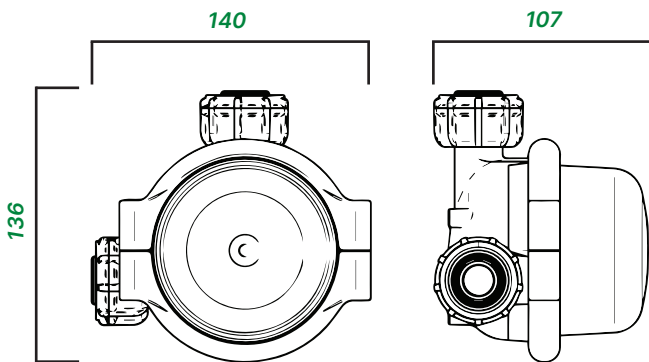
Typical conditions of the filter after 20,000 litres dispensed. We recommend changing the filter cartridge once a year



High efficiency mechanical filtration of particulate by means of an incremental filter specifically developed for AdBlue.



Dimensions



Measurements expressed in millimeters

Features

- ▶ 3 Step Filtration
- ▶ Hi-Resistance Case
- ▶ Removable Cartridge

Materials

- ▶ Body: Technopolymer
- ▶ Cartridge: Polypropylene

Performance

- ▶ 200 β Filtering Capacity
- ▶ Up to 4 Bar operating Pressure

In The Box

- ▶ 3D Filter
- ▶ Instruction Manual

Packaging

Code	Weight			Packaging		
	A MM.	B MM.	C MM.	Weight kg	Dimension MM	Filter Head PCS/BOX
F00611D00	136	107	140	0.6	200×120×140	166×144×85
F00611D1A	104	70	104	0.2	166×144×82	-

Technical Data

Code	Description	Fluids Type	Flow Rate		Inlet/Outlet	Water Absorbing	Efficiency	Micro	Pression
			L/MIN	GPM					
F00611D00	3D FILTER FOR ADBLUE	Ad, W	40	10.5	1"	-	200	70	4
F00611D1A	3D FILTER CARTRIDGE	Ad, W	-	-	-	-	-	-	-

Ad = AdBlue  
W= Water