



**THIS IS CONFIDENTIAL INFORMATION.
THIS DRAWING AND DESIGN IS THE PROPERTY OF LIQUIP PTY LIMITED.
IT MUST NOT BE COPIED OR REPRODUCED IN ANY WAY WHATSOEVER AND/OR PASSED ON
TO ANY THIRD PARTY WITHOUT WRITTEN AUTHORITY.**

LIQUIP PTY LIMITED - ENGINEERING DEPARTMENT - 13 HUME RD SMITHFIELD SYDNEY NSW AUSTRALIA 2164
PH: +61 2 9725 9000 FAX: +61 2 9609 4739 EMAIL: engineering@liquip-nsw.com.au

IN LINE STRAINERS

DATA SHEET

PART No: ILS400

TITLE:	In line strainer for 76mm and 102mm diameter flows.
PURPOSE:	Lightweight inexpensive aluminium suction line strainer for larger pumps such as those fitted to large vehicles and prime movers for bulk industrial deliveries.
OPERATION:	Protects down stream equipment such as meters and pumps from debris and foreign objects. Strainer basket can only be fitted for correct direction of flow. Drain bosses provided in body and lid to suit any mounting angle.
DISMANTLE:	Simply remove lid by unscrewing 2 off lid retaining nuts and remove basket.
ADJUSTMENT:	None
TECHNICAL: DATA	Maximum vacuum to 90kPa. Maximum working pressure to 700kPa. Order; <ul style="list-style-type: none">•ILS400 c/w plain zinc plated strainer (bolt stopper) basket only.•ILS400-200P c/w 200 mesh stainless steel strainer basket.•ILS400-80P c/w 80 mesh stainless steel strainer basket.•ILS400-40S c/w 40 mesh stainless steel strainer basket. See page 3 for other baskets and mesh details.
MATERIALS:	All metal construction. Cast aluminium body & lid. Steel mesh with aluminium surround, see page 3. Nitrile seal. Available to aviation standard on special order.
MOUNTING:	4" TTMA flanges. Mount with arrow in correct flow direction.
WEIGHT:	4.7kg
ASSOCIATED: EQUIPMENT	LBV450VG butterfly valve. BF4-SG-40, BF4-SG-25, sight glasses.

Overall dimensions shown on the drawing overleaf.

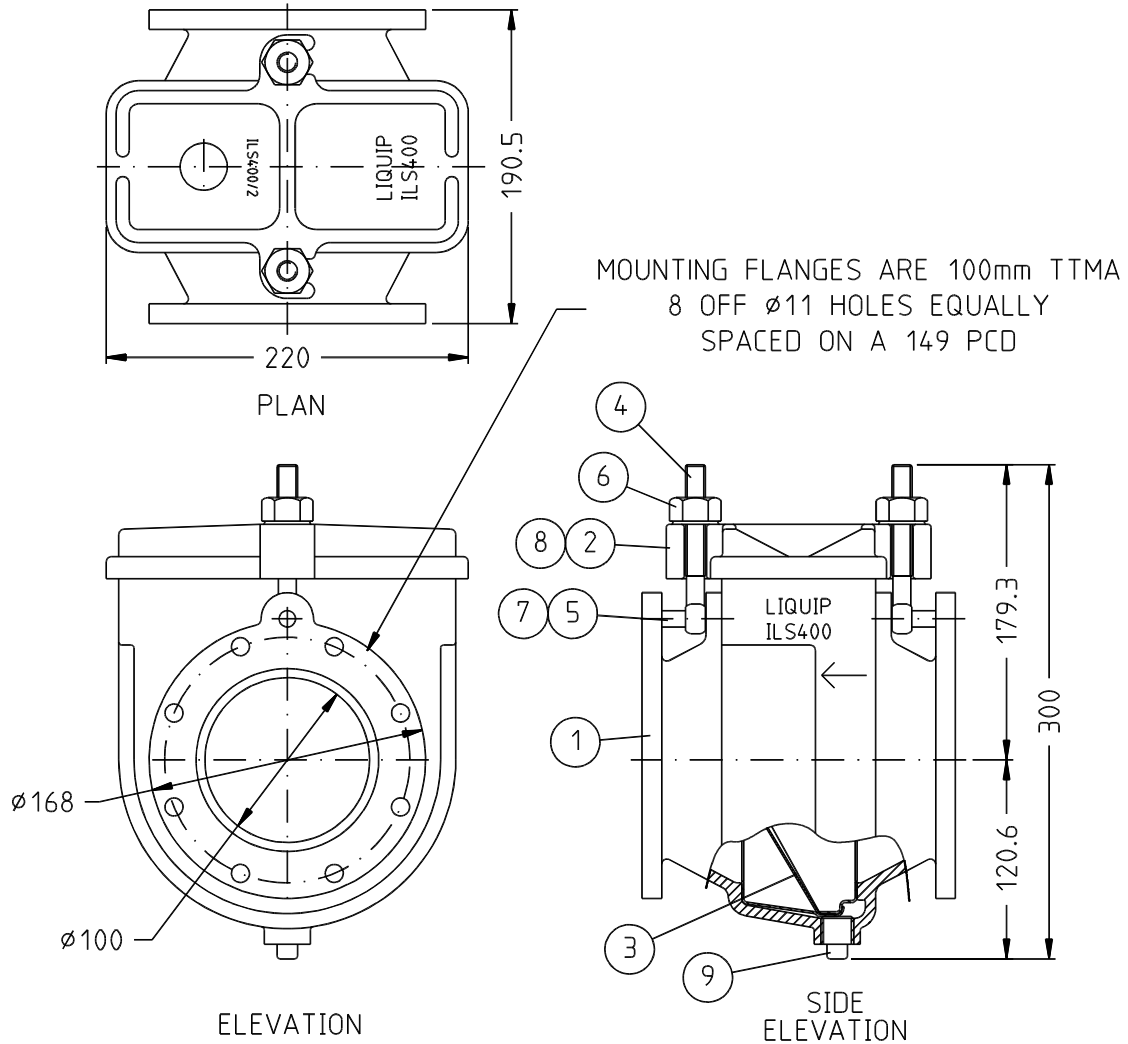


THIS IS CONFIDENTIAL INFORMATION.
THIS DRAWING AND DESIGN IS THE PROPERTY OF LIQUIP PTY LIMITED.
IT MUST NOT BE COPIED OR REPRODUCED IN ANY WAY WHATSOEVER AND/OR PASSED ON
TO ANY THIRD PARTY WITHOUT WRITTEN AUTHORITY.

LIQUIP PTY LIMITED - ENGINEERING DEPARTMENT - 13 HUME RD SMITHFIELD SYDNEY NSW AUSTRALIA 2164
 PH: +61 2 9725 9000 FAX: +61 2 9609 4739 EMAIL: engineering@liquip-nsw.com.au

LIQUIP

ILS400 INLINE STRAINER



ITEM	PART NO	DESCRIPTION	QTY	MATERIAL
1	ILS400-1	BODY - STRAINER	1	ALUMINIUM
2	ILS400-2	LID - STRAINER	1	ALUMINIUM
3	ILS400-3	BASKET - STRAINER	1	AL & M/S
4	ILS400-4	EYEBOLT	2	Z/P M/S
5	ILS400-5	HINGE PIN	2	Z/P M/S
6	ILS400-6	NUT	2	BRASS
7	0194	O-RING	2	NITRILE
8	2344	SEAL LID	1	NITRILE
9	0614	PLUG	1	GALV STL

X600598

Issue: C

METERS - VALVES - VENTS - MANHOLES - PUMPS - HOSEREELS - OVERFILL PROTECTION - LOADING ARMS - ELECTRONIC DIPSTICKS



LIQUIP INTERNATIONAL PTY LTD

PO Box 7049
 Wetherill Park BC, 2164
 Sydney NSW Australia
 Phone: +612 9725 9000
 Fax: +612 9725 1252

DISTRIBUTORS

See website
 for Liquip branches
 and Distributors

www.liquip.com

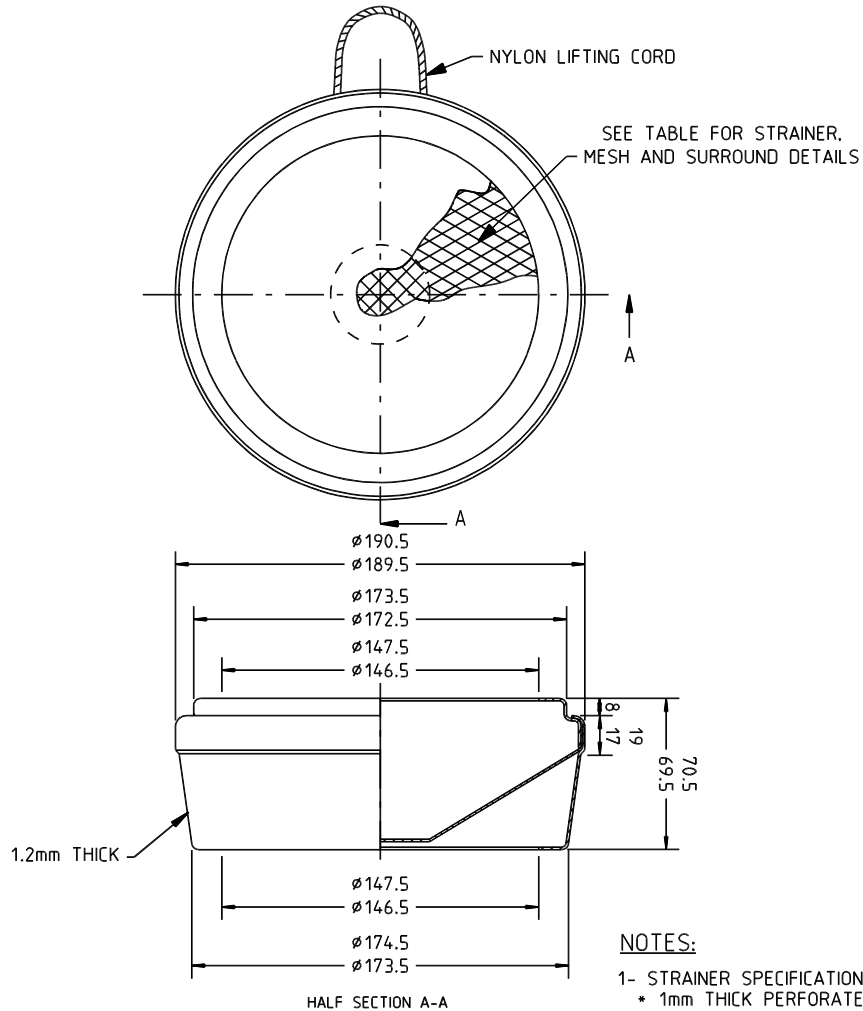


THIS IS CONFIDENTIAL INFORMATION.
THIS DRAWING AND DESIGN IS THE PROPERTY OF LIQUIP PTY LIMITED.
IT MUST NOT BE COPIED OR REPRODUCED IN ANY WAY WHATSOEVER AND/OR PASSED ON
TO ANY THIRD PARTY WITHOUT WRITTEN AUTHORITY.

LIQUIP PTY LIMITED - ENGINEERING DEPARTMENT - 13 HUME RD SMITHFIELD SYDNEY NSW AUSTRALIA 2164
 PH: +61 2 9725 9000 FAX: +61 2 9609 4739 EMAIL: engineering@liquip-nsw.com.au

LIQUIP

ILS400-3 SERIES STRAINER BASKETS



NOTES:

- 1- STRAINER SPECIFICATIONS:
 - * 1mm THICK PERFORATED STEEL
 - * 2mm HOLES (2000 MICRONS)
 - * 0.9mm THICK PERFORATED S/S
 - * 2.06mm HOLES (2060 MICRONS)
 - 40% OPEN AREA
- 2- ALL MESH STAINLESS STEEL
- 3- ST STEEL STRAINERS ARE PREFERRED FOR AVIATION USE.
- 4- ALWAYS USE A STRAINER ON SUCTION SIDE OF PUMPS.

HALF SECTION A-A

MESH SPECIFICATIONS

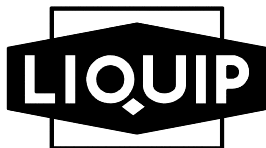
PART NUMBER	HOUSING MATERIAL	STRAINER FINISH	MESH SIZE	ACTUAL MICRONS	WIRE DIA (mm)
ILS400-3	ALUMINIUM	ZINC PLATED	NONE	NONE	NONE
ILS400-3-200P	ALUMINIUM	ST STEEL	200	75±5	0.052
ILS400-3-350P	ALUMINIUM	ST STEEL	350	40±5	0.028
ILS400-3-80P	ALUMINIUM	ST STEEL	80	190±5	0.125
ILS400-3-AV	ALUMINIUM	ST STEEL	250 x 50	40±5	0.14/0.112
ILS400-3-40S	ALUMINIUM	ST STEEL	40	415±5	0.220

HOLLANDER WEAVE
ARMY SPEC

X600397

Issue: G

METERS - VALVES - VENTS - MANHOLES - PUMPS - HOSEREELS - OVERFILL PROTECTION - LOADING ARMS - ELECTRONIC DIPSTICKS



LIQUIP INTERNATIONAL PTY LTD

PO Box 7049
 Wetherill Park BC, 2164
 Sydney NSW Australia
 Phone: +612 9725 9000
 Fax: +612 9725 1252

DISTRIBUTORS

See website
 for Liquip branches
 and Distributors

www.liquip.com