

TP10x Series Truck Plug

Liquip offers truck plugs with added ground assurance to suit 2 wire and 5 wire overfill systems with 3 or 4 pin bayonet fastening (J-slots).

The industry standard 10 pin overfill protection is interchangeable with others of the same type and incorporates no-cost wiring connectors which ensure the tanker is bonded to the gantry so long as the plug body is correctly mounted. This dissipates static electricity and prevents sparks due to differences in potential.

The design of Liquip's truck plugs is unique in that it ensures grounding of the tanker to the gantry by using the mounting bolts inside the truck plug. The TP104 series of truck plugs features a stainless steel nose ring and J-slots for longer service life.



TP104 model shown.

Key Features

- 3 and 4 bayonet style J-slots fixing to industry standard.
- 10 pin as standard.
- Allows for overfill protection with added ground assurance.
- Sufficient room to easily install and mount dummy probe as required in 2 wire systems.
- Stainless Steel nose ring and J-slots for longer service life (TP104).
- Offers compatibility with virtually all terminals built to EN13922 or API RP 1004.

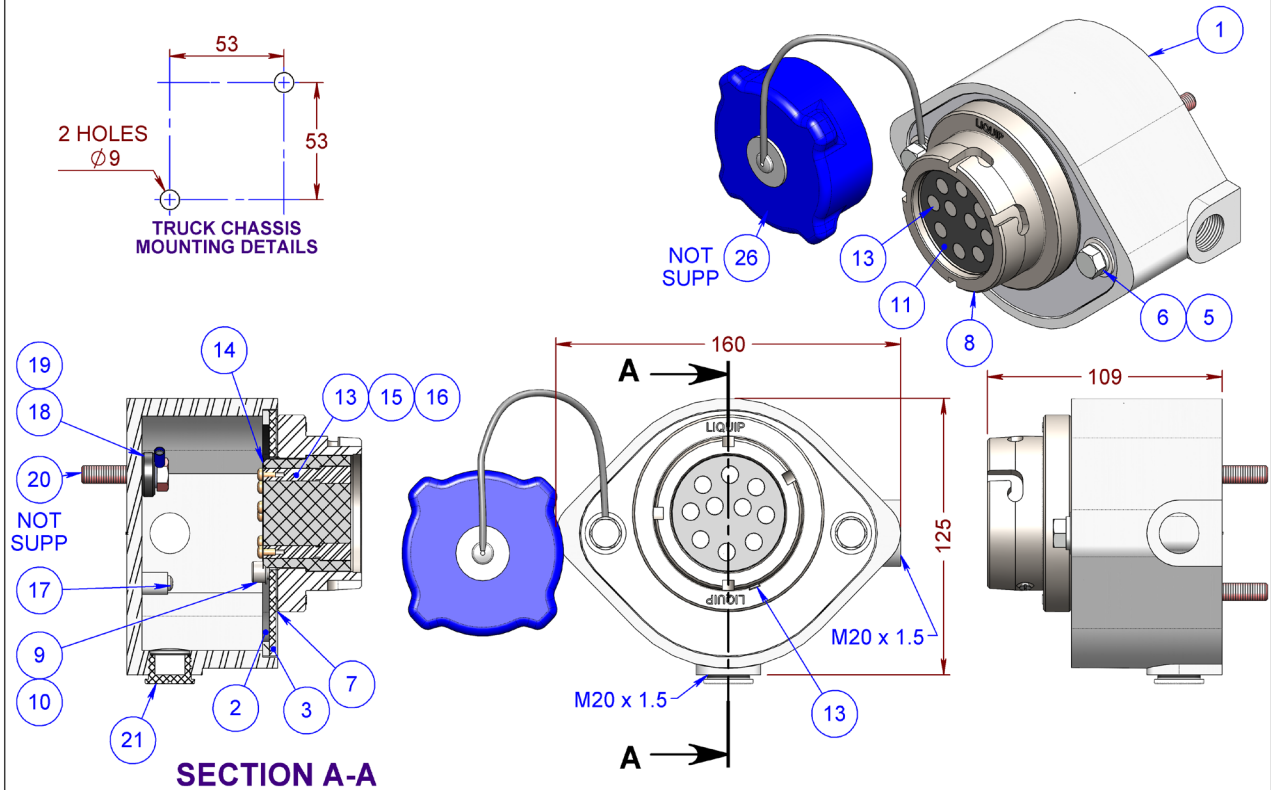
Specifications

Mounting	Acetal mounting blocks
Technical Data	<ul style="list-style-type: none"> • Mounting by 2 stainless steel bolts 8mm dia via acetal insulating bushes. • 3 and 4 bayonet fixing to industry standard. • Conduit ports M20 x 1.5 thread, two options. 10 pin as standard.
Variants	TP103 - 3 pin bayonet fastening TP104 - 4 pin bayonet fastening. Use also for 2 pin.
Weight	1.3kg
Materials	Stainless steel nose cone (TP104 series)/ Aluminium nose cone (TP103 series) Stainless steel pins and terminator Acetal mounting block Aluminium body and cover plate PVC cap. Order separately, see below.
Associated equipment	5069 PVC cap LDP202/LDP205 probes GP100 series Gantry plugs

*** Note:**

The "Ground Boss" truck plug must be bolted to the main structure, not to a potentially isolated bracket, or bolted on substructure.

TP103 & TP104 TRUCK PLUGS



ITEM	PART No	DESCRIPTION	TP104	TP103	TP104-8	MATERIAL
1	TP101-1	BODY	1	1	-	ALUMINIUM
2	4258	SEAL GASKET FOR TP	1	1	1	NITRILE
3	TP100-2	COVER PLATE	1	1	1	ALUMINIUM
4	0101	WASHER FLAT	2	2	2	Z/P STEEL
5	0108	WASHER SPRING	2	2	2	Z/P STEEL
6	0011	SETSCREW HEX	2	2	2	Z/P STEEL
7	4259	GASKET	1	1	1	BLACK FIBRE
8	TP104-3SS	PLUG 4-PIN	1	-	1	ST STEEL
	TP103-3SS	PLUG 3-PIN	-	1	-	ST STEEL
9	5249	CAPSCREW IMPERIAL	2	2	2	Z/P STEEL
10	0114	WASHER SHK-PRF	2	2	2	Z/P STEEL
11	TP100-5	SOCKET - STANDARD	1	1	1	ACETAL
12	4845	SCREW C/SUNK MET	1	1	1	ST STEEL
13	TP100-4	PIN CONTACT	10	10	10	ST STEEL
14	4728	IDENTIFICATION LABEL	1	1	1	POLYCARB
15	5238	WASHER SHK-PRF INT	10	10	10	ST STEEL
16	4844	SCREW METRIC	10	10	10	ST STEEL
17	3234	SELF TAPPING SCREW PAN/PH	2	2	2	ST STEEL
18	TP101-6	BUSH	2	2	-	ACETAL
19	4882	EYE TERMINAL	2	2	-	Z/P STEEL
20		HEX HEAD BOLT MAX Ø8 TO REQ'D LENGTH	NOT SUPPLIED			ST STEEL
21	6943	PLUG M20 CONDUIT	1	1	-	NYLON
22	4729	INSTRUCTION LEAFLET	1	1	1	PAPER
23	4666	WARNING LABEL	1	1	-	PAPER
24	40021	CARTON	1	1	-	CARDBOARD
25	3350N	PLASTIC BAG	-	-	1	PLASTIC
26	5069	CAP - PROTECTIVE	OPTIONAL			PVC
27	40000	PLASTIC BAG	1	1	-	PLASTIC