

# Gorman Rupp Pump 3"

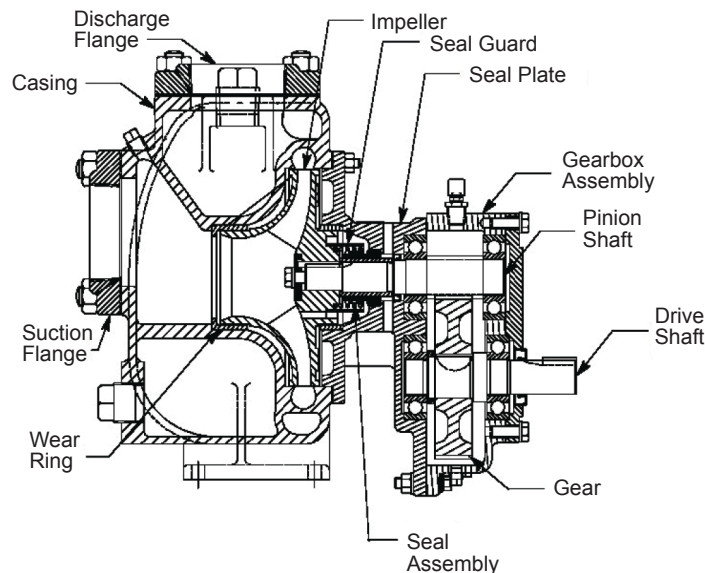
These 3" pumps are used as the product pump on most larger capacity Liquip JET-A aviation refuellers. These Gorman Rupp self-priming product (aviation fuel) pumps are driven by a hydraulic motor on the fuelling module. They pull the product (JET fuel) from the cargo tank and pump into aircraft at around 1,000+ litres / min.

## Technical Specifications

<b>Size:</b>	3" x 3" (76 mm x 76 mm) NPT - Female
<b>Casing:</b>	(03H1) Aluminium Alloy 356-T6 (03H3) Ductile Iron 60-40-18 Maximum Operating Pressure 176 psi (1214 kPa)*
<b>Enclosed Type:</b>	Almag 35. Handles 7/16" (11,1 mm) Diameter Spherical Solids
<b>Five Vane Impeller:</b>	
<b>Pinion Shaft:</b>	Alloy Steel 4320
<b>Shaft Sleeve:</b>	Alloy Steel 4130
<b>Replaceable Wear Ring:</b>	Copper Alloy C93200
<b>Seal Plate:</b>	Gray Iron 30, 6 lbs. (3 kg)
<b>Seal Guard:</b>	Copper Alloy C26000
<b>Gearbox Housing:</b>	Gray Iron 30
<b>Gearbox Lubrication:</b>	SAE 90 Gear Oil
<b>Gear:</b>	Alloy Steel 4620
<b>Gear Ratio:</b>	4.09:1 Increase
<b>Bearings:</b>	Open Single Row Ball
<b>Flanges:</b>	(03H1) Aluminium Alloy 356-T6 (03H3) Ductile Iron 60-40-18
<b>Gaskets:</b>	Buna-N w/Cork and Vegetable Fiber
<b>O-Rings:</b>	Buna-N
<b>Hardware:</b>	Standard Plated Steel
<b>Optional Equipment:</b>	Victaulic™ Elbow Victaulic is a Registered Trademark of Victaulic Company of America

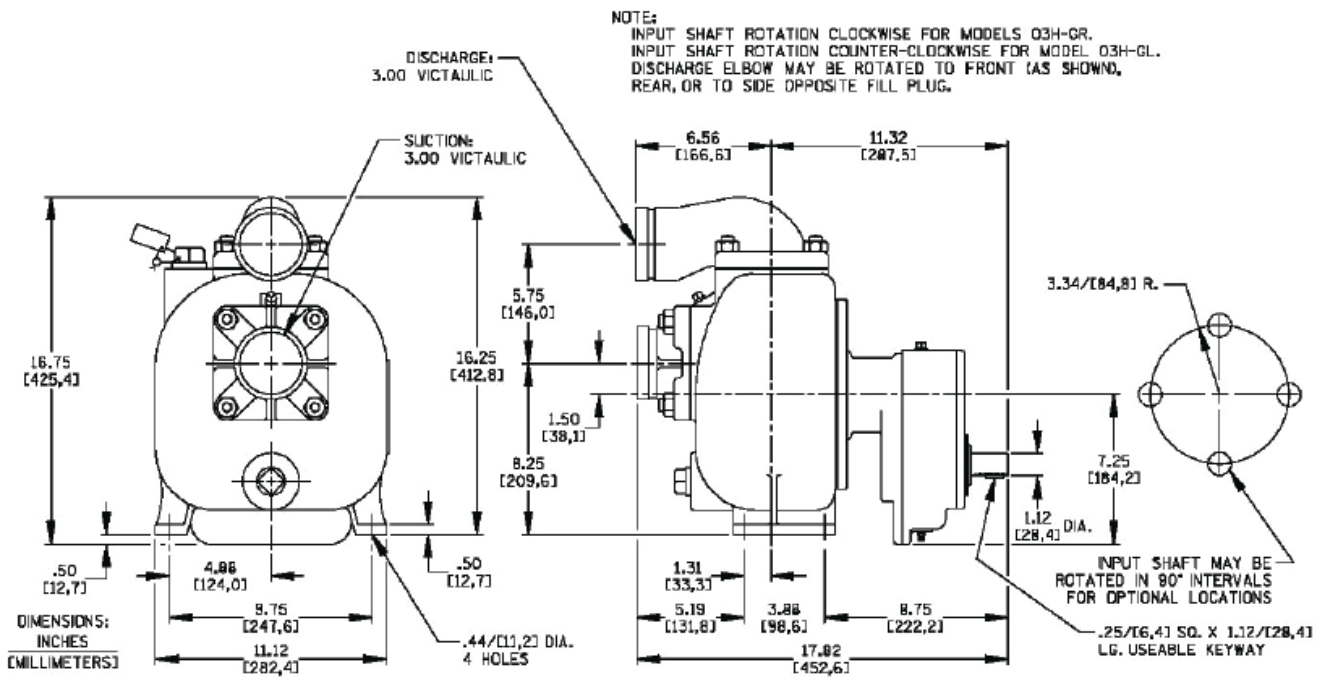
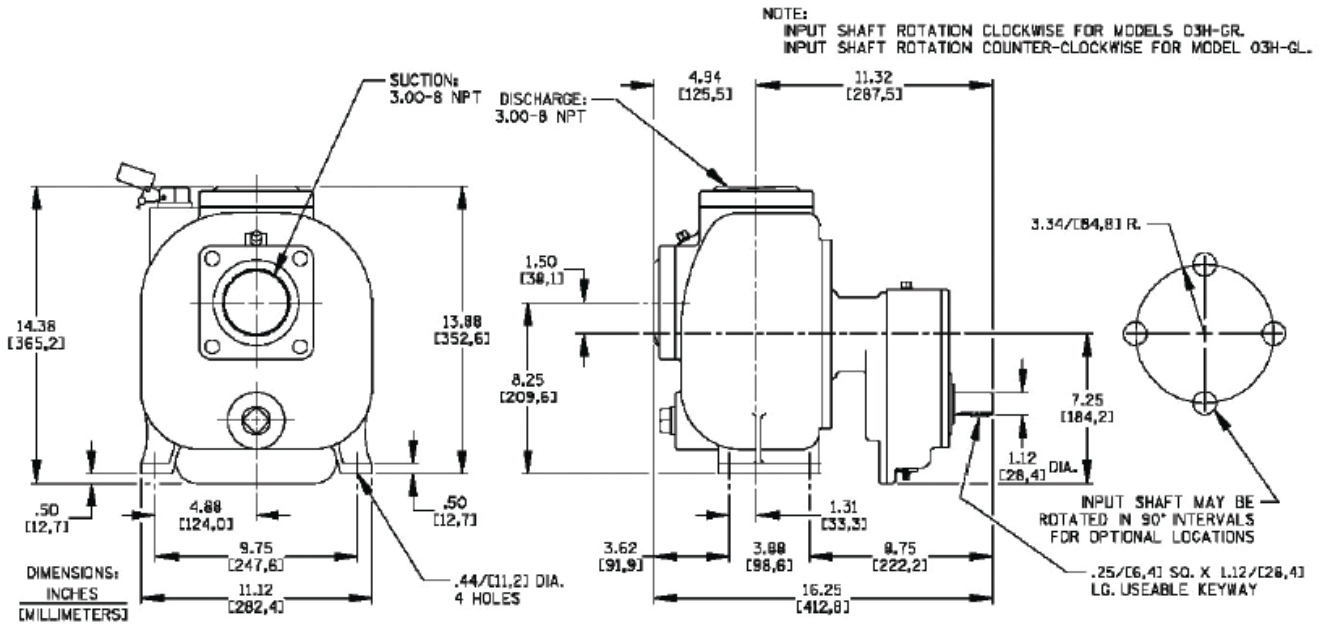


\*Contact Liquip staff for applications exceeding maximum pressure and/or temperature indicated.



# Gorman Rupp Pump 3"

## Specification Data



# Gorman Rupp Pump 3"

## Ordering Information

Part No	Description
8426	Pump Gorman Rupp 3" model 03H1-GR

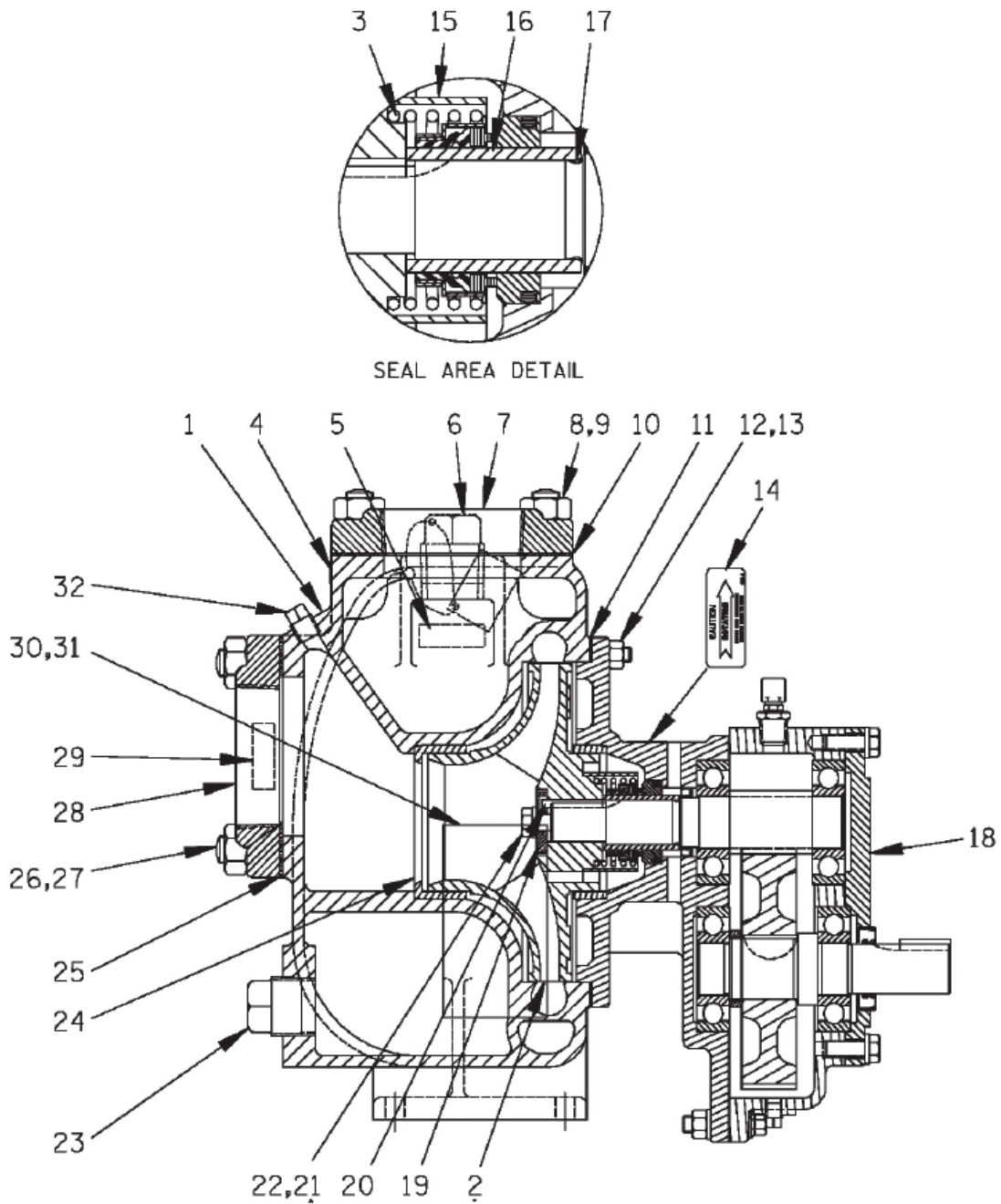


Figure 1. Pump Model 03H1-GR

# Gorman Rupp Pump 3"

## Ordering Information

If your pump serial number is followed by an "N", your pump is NOT a standard production model. Contact the Liquip part sales team to verify part numbers.

Parts List Pump Model 03H1-GR				
Item		Part No	Description	Qty
1		8274A	Pump Casing	1
2	*	8251A	Impeller	1
3	*	25271-192	Seal Assembly	1
4		6588BJ	Discharge Sticker	1
5		6588AH	FL Here to PRM Stk	1
6		48271-064	Fill Plug Assy	1
7		1390	Discharge Flange	1
8		C1009	Stud	4
9		D10	Hex Nut	4
10	*	1318GB	Discharge Gasket	1
11	*	3GC	Pump Casing Gasket Set	1
12		C0605 1/2	Stud	8
13		D06	Hex Nut	8
14		2613M	Rotation Decal	1
15		9834	Seal Guard	1
16	*	9140	Shaft Sleeve	1
17	*	S1461	Shaft Sleeve O-Ring	1
18		44161-014	Gearbox Assembly	1
19	*	6750	Impeller Washer	1
20	*	N0305-1/2	Impeller Key	1
21		BT0604	Nylock Capscrew	1
22		J06	Lockwasher	1
23		P20	Casing Drain Plug	1
24	*	62ZL5	Wear Ring	1
25	*	1318GB	Suction Flange Gasket	1
26		C1009	Stud	4
27		D10	Hex Nut	4
28		1390	Suction Flange	1
29		6588AG	Suction Sticker	1
30		38818-018	Name Plate	1
31		BM#04-03	Drive Screw	4
32		P04	Pipe Plug	1

\* Indicates parts recommended for stock

# Gorman Rupp Pump 3"

## Ordering Information

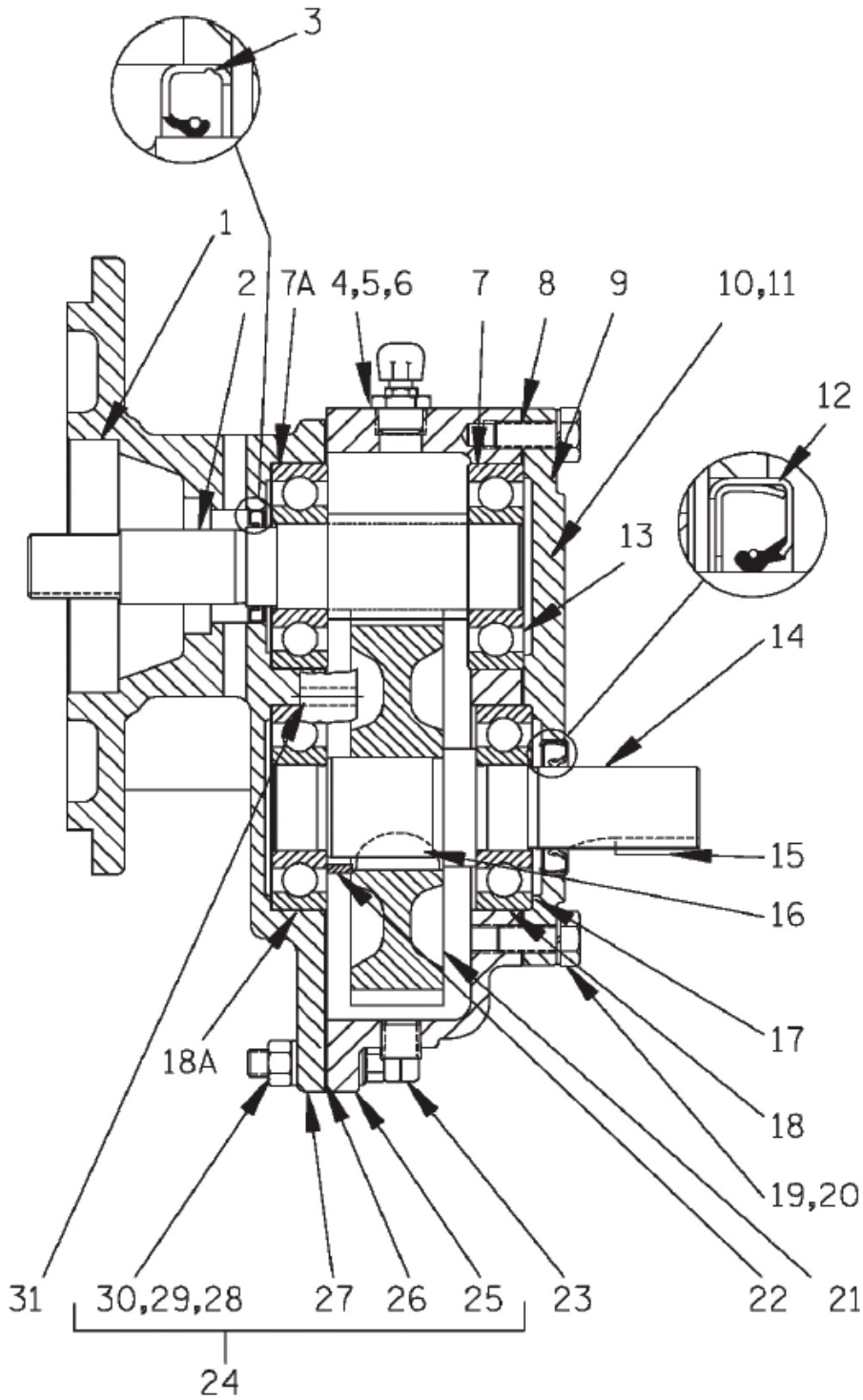


Figure 2. 44161-014 Gearbox Assembly





# Gorman Rupp Pump 3"

## Ordering Information

If your pump serial number is followed by an "N", your pump is NOT a standard production model. Contact the Liquip part sales team to verify part numbers.

Parts List 44161-014 Gearbox Assembly				
Item		Part No	Description	Qty
1		62ZL6	Wear Ring	1
2		8896	Pinion Shaft	1
3	*	S1764	Oil Seal	1
4		S1530	Air Vent	1
5		AP0602	Reducing Pipe Bushing	1
6		11495A	Shipping Plug	1
7	*	S390	Ball Bearing	1
7A	*	S390	Ball Bearing	1
8	*	8871G	Gasket	1
9		8871	Cover Plate	1
10		38816-239	Lubrication Decal	1
11		2613CQ	PTO Lubrication Decal	1
12	*	S389	Oil Seal	1
13	*	S464	Adjusting Shim Set	1
14		8837	Drive Shaft	1
15	*	N0404-1/2	Key	1
16	*	AV1210	WDF Key	1
17	*	S464	Adjusting Shim Set	1
18	*	S390	Ball Bearing	1
18A	*	S390	Ball Bearing	1
19		J06	Lock Washer	6
20		B0604	Hex Head Capscrew	6
21		8895	Helical Gear	1
22		9142	Spacer Sleeve	1
23		P06	Pipe Plug	5
24		8914	Gear Housing Assembly	1
25	†	NOT AVAILABLE	- Gear Housing	1
26		8870G	- Gasket	1
27	†	NOT AVAILABLE	- Seal Plate	1
28		31871-065	- Flanged Capscrew	8
29		J06	- Lock Washer	8
30		D06	- Hex Nut	8
31		AA0403 -1/2	Dowel Pin	2

\* Indicates parts recommended for stock

† Indicates the mating surfaces of items 25 and 27 are machines at the factory for a flush fit. These items are available only by ordering the complete gearbox housing assembly (Item 24).